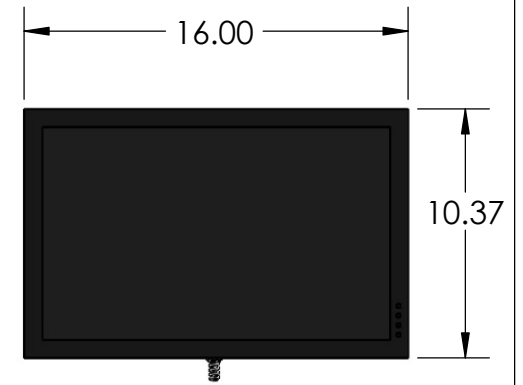
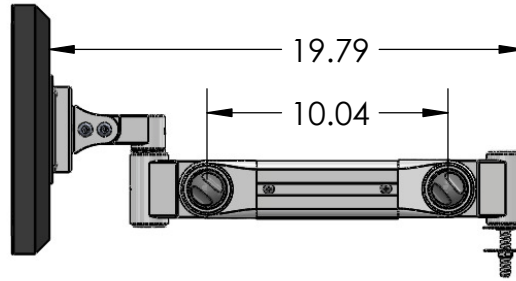
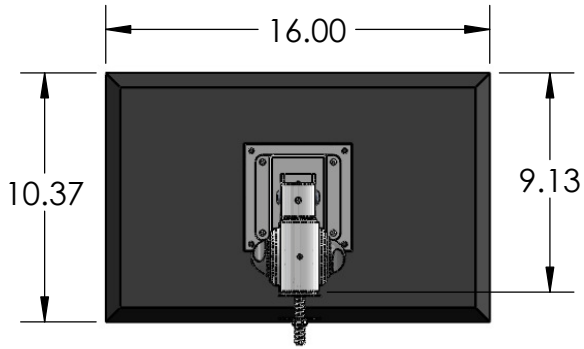
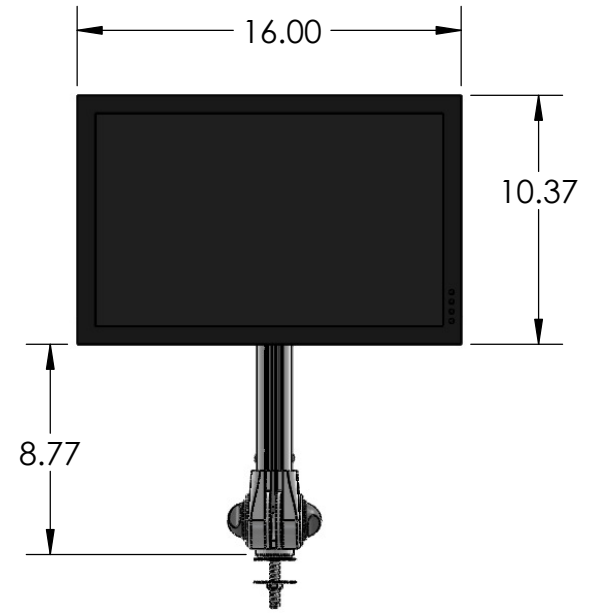
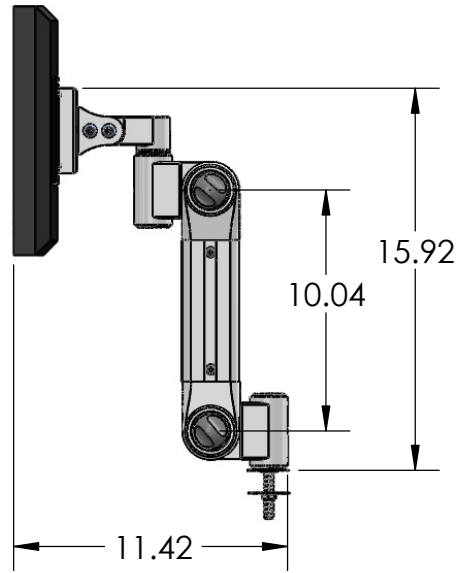
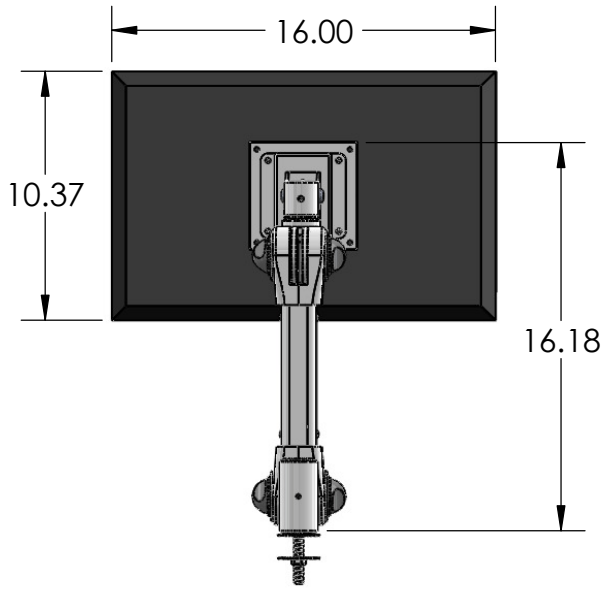


Drawing#: 60210-GP
 Dimensions of Vertical And Horizontal Positions



*Monitor dimensions are based on a standard 17" Monitor. Actual monitor dimensions may vary (Monitor not included in assembly)

PROPRIETARY AND CONFIDENTIAL
 THE INFORMATION CONTAINED IN THIS DRAWING IS THE SOLE PROPERTY OF CUSTOM PRODUCTS AND SERVICES. ANY REPRODUCTION IN PART OR AS A WHOLE WITHOUT THE WRITTEN PERMISSION OF CUSTOM PRODUCTS AND SERVICES IS PROHIBITED.

		UNLESS OTHERWISE SPECIFIED:		NAME	DATE	
		DIMENSIONS ARE IN INCHES	DRAWN	NJN	9/18/13	TITLE: 60210 Vertical and Horizontal position
		TOLERANCES: FRACTIONAL ±	CHECKED			
		ANGULAR: MACH ± BEND ±	ENG APPR.			
		TWO PLACE DECIMAL ±	MFG APPR.			
		THREE PLACE DECIMAL ±	Q.A.			
		INTERPRET GEOMETRIC TOLERANCING PER:	COMMENTS:			
		MATERIAL				SIZE DWG. NO. REV
		FINISH				A 60210-GP
NEXT ASSY	USED ON					SCALE: 1:8 WEIGHT: SHEET 1 OF 1
APPLICATION		DO NOT SCALE DRAWING				